

## Wide Input Voltage Range 6 Watt Dc-Dc Converter

### FEATURES:

2:1 Wide Input Voltage.

6 Watt 24PIN DIP Package.

Efficiency To 80%

PI Input Filter.

1500Vdc Isolation

MTBF:>1,500,000 hrs

Operating Temperature:-40°C TO +85°C



### Specifications typical at TA=25°C, nominal input voltage and rated output current unless otherwise specified

Part Number	Input Voltage	Output Voltage	Output Current	Input Current		Efficiency
				NO LOAD	FULL LOAD	
				mA	mA	
	Vdc	Vdc	mA	mA	mA	%TYP
AS6R-12S03ZC	9-18	3.3	1000	7.5	405	70
AS6R-12S05ZC	9-18	5	1000	7.5	545	75
AS6R-12S12ZC	9-18	12	470	7.5	585	80
AS6R-12S15ZC	9-18	15	400	7.5	625	80
AS6R-12D05ZC	9-18	±5	±500	12	545	75
AS6R-12D12ZC	9-18	±12	±230	12	575	80
AS6R-12D15ZC	9-18	±15	±190	12	590	80
AS6R-24S03ZC	18-36	3.3	1000	5	195	70
AS6R-24S05ZC	18-36	5	1000	5	265	80
AS6R-24S12ZC	18-36	12	470	5	285	80
AS6R-24S15ZC	18-36	15	400	5	305	80
AS6R-24D05ZC	18-36	±5	±500	7.5	265	80
AS6R-24D12ZC	18-36	±12	±230	7.5	285	80
AS6R-24D15ZC	18-36	±15	±190	7.5	295	80
AS6R-48S03ZC	36-72	3.3	1000	2	98	70
AS6R-48S05ZC	36-72	5	1000	2	133	80
AS6R-48S12ZC	36-72	12	470	2	145	80
AS6R-48S15ZC	36-72	15	400	2	154	80
AS6R-48D05ZC	36-72	±5	±500	3	265	80
AS6R-48D12ZC	36-72	±12	±230	3	142	80

### Input Specifications

Parameters	Conditions	Min	Typ	Max	Units
Voltage Types				2:1	
Filter	Capacitor				

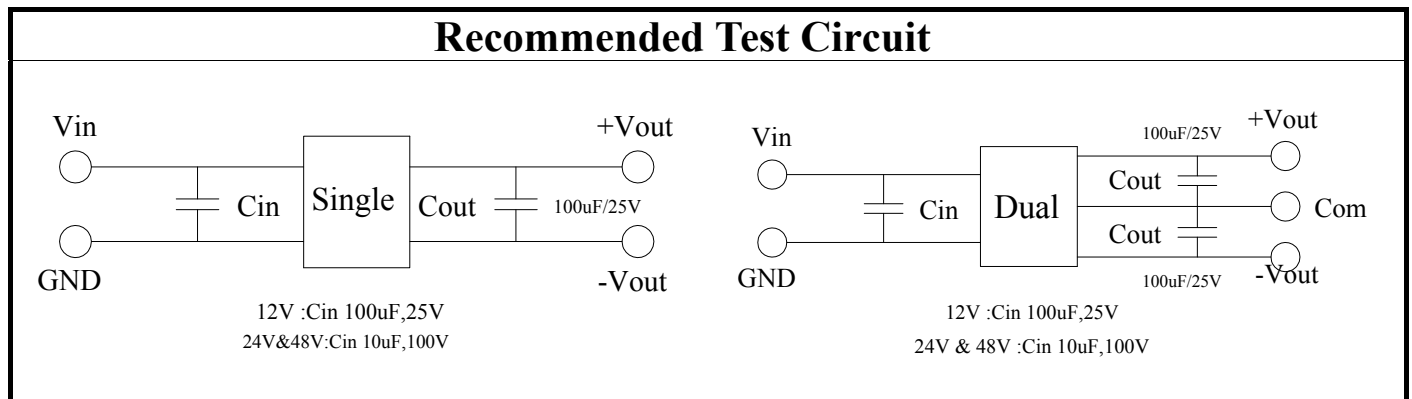
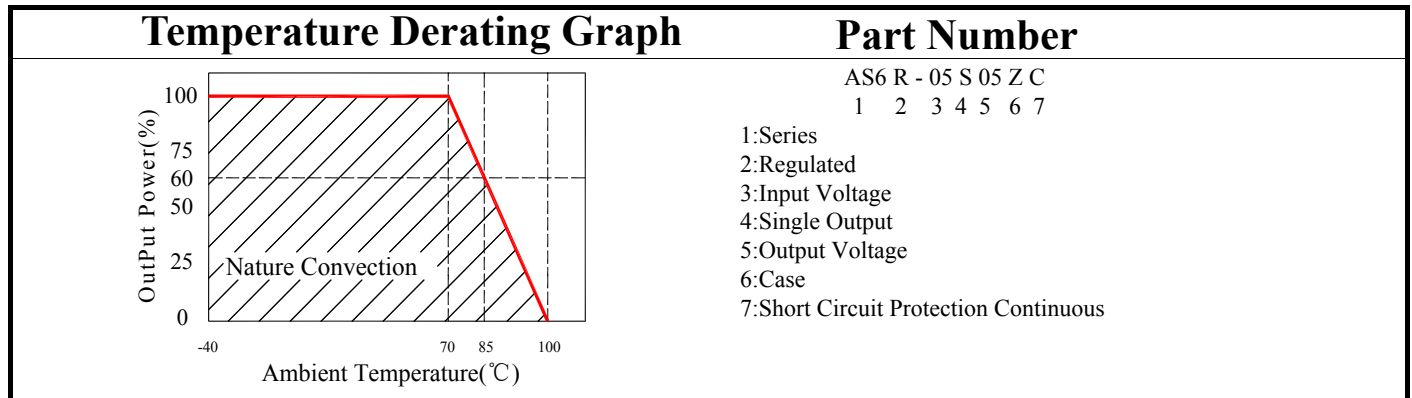
### Output Specifications

Parameters	Conditions	Min	Typ	Max	Units
Voltage Tolerance				±2	%
Short Circuit Protection	Continuous				
Line Regulation				±0.5	%
Load Regulation	Single (F.L To 10% Load)			±0.5	%
Load Regulation	Dual (F.L To 1/4 Load)			±1.0	%
Ripple & Noise	BW=DC To 20MHz			100	mVp-p
Transient response setting time	50% load step change		350		us

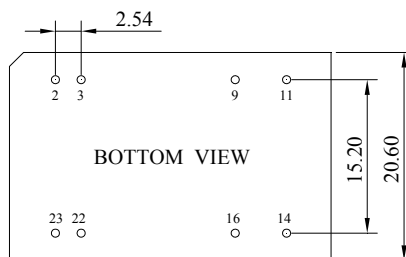
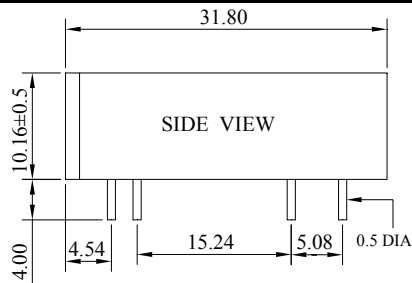
### General Specifications

Parameters	Conditions	Min	Typ	Max	Units
Isolation Resistance	500Vdc	1000			MΩ
Switching Frequency			200		KHz
Operating Temperature		-40		85	°C
Humidity	Non Condensing			95	%
Cooling	Free air Convection				
Case material	Nickel Coated With Non-Conductive Base or Black Coated Copper With Non-Conductive Base				
Weight			16.2		g
Dimensions			31.80x20.60x10.16		mm

## Wide Input Voltage Range 6 Watt Dc-Dc Converter



### Markings and dimensions



UNIT: mm Unless otherwise specified, all tolerances are  $\pm 0.25$

<b>PIN Connection</b>						
PIN	2,3	9	11	14	16	22,23
SINGLE	-Vin	NO PIN	NC	+Vout	-Vout	+Vin
DUAL	-Vin	COM	-Vout	+Vout	COM	+Vin