

FEATURES

- ◆ Wide (2:1) Input Range
- ◆ 40 Watt
- ◆ 1500VDC DC I/O Isolation
- ◆ Operating Temperature: -40°C ~ +85°C
- ◆ 2" x 1" Metal Case
- ◆ Regulated Output
- ◆ Single, Dual and Triple Output
- ◆ Metal shielding package
- ◆ Continuous Short Circuit Prot.
- ◆ MTBF > 1000K hours

MODEL SELECTION

WRB^①24^②05^③Y^④MD^⑤-40W(8000)^⑥

- ① Product Series
- ② Input Voltage
- ③ Output Voltage
- ④ Wide (2:1) Input Range
- ⑤ Package Style
- ⑥ Rated Power (Output current)

APPLICATIONS

The WRA-YMD-40W & WRB-YMD-40W series is a family of cost effective 40W, single and dual output DC-DC converters with an ultra wide input range of 2:1. These converters are encapsulated in nickel coated brass 2"x1" case with high performance features: 1500VDC input/output isolation voltage, continuous short circuit protection with automatic restart and tight line/load regulation, over current protection, over voltage protection, over temperature protection, high efficiency operation and soft start.



SELECTION GUIDE

Order	Input Voltage (VDC)	Input Current No Load (mA)	Input Current Full Load (mA)	Output Voltage (VDC)	Output Current Full Load (mA)	Efficiency (%)	Capacitor Load (uF) ²
WRB1205YMD-40W	9-18	150	3000	5	8000	87	14000
WRB1212YMD-40W	9-18	50	1400	12	3333	89	3000
WRB1215YMD-40W	9-18	50	3000	15	2667	89	2000
WRB2403YMD-8000	18-36	60	1185	3.3	8000	89	20000
WRB2405YMD-40W	18-36	100	1420	5	8000	91	14000
WRB2412YMD-40W	18-36	30	1436	12	3333	90	2000
WRB2415YMD-40W	18-36	30	1420	15	2667	91	2000
WRB4803YMD-8000	36-72	50	593	3.3	8000	89	20000
WRB4805YMD-40W	36-72	60	702	5	8000	91	14000
WRB4812YMD-40W	36-72	30	718	12	3333	90	2000
WRB4815YMD-40W	36-72	30	710	15	2667	90	2000
WRA2405YMD-40W	18-36	120	1437	± 5	± 4000	90	3000
WRA2412YMD-40W	18-36	30	1453	± 12	± 1667	89	1300
WRA2415YMD-40W	18-36	40	1437	± 15	± 1333	89	1300
WRA4805YMD-40W	36-72	70	710	± 5	± 4000	91	3000
WRA4812YMD-40W	36-72	30	718	± 12	± 1667	90	1300
WRA4815YMD-40W	36-72	40	718	± 15	± 1333	90	1300

Input Specifications

Voltage Range	2:1 Ultra Wide Input (see table)
Input Filter	PI Type
Input Reflected Ripple Current ¹	20 mA pk-pk
Start up Time (Nom. Vin and constant resistive load)	30mS, typ.

Output Specifications

Voltage Accuracy	± 1% (main out)
Voltage Adjustability (only Single Output)	± 10%, max.
Short Circuit Protection	Indefinite (hiccup, automatic recovery)
Over Load Protection	150% of FL, typ.
Line Regulation	± 0.5% (single&dual) ± 1%
Load Regulation (0% - 100%)	± 0.5% (single) ± 1% / ± 5% (dual main / aux)
Cross Regulation ³	± 5% (dual)
Ripple & Noise (20Mhz bandwidth / 1.0uF - pk-pk)	100 mV (single&dual) 50
Temperature Coefficient	± 0.02% / °C
Transient Recovery Time ⁴	250us, typ.
Transient Response Deviation ⁴	± 3%, max.

General Specifications

I/O Isolation Voltage (3 sec.)	1500 VDC
I/O Isolation Capacitance	1500 pF, typ.
I/O Isolation Resistance	1000 M Ohm, min.
Switching Frequency	330 kHz, typ.
Humidity	95% rel H
Reliability Calculated MTBF (MIL-HDBK-217F)	>435 khrs (single&dual out)

Physical Specifications

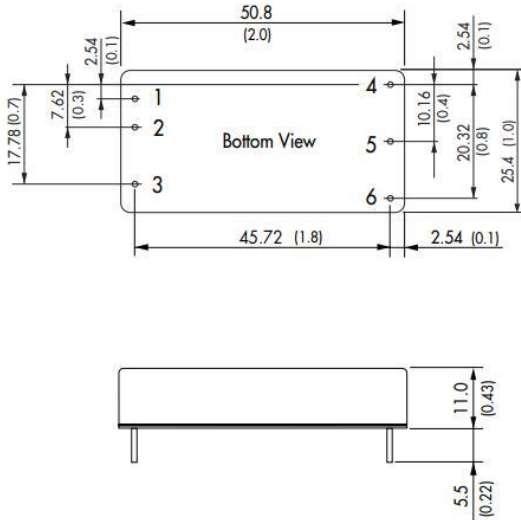
Case Material	Nickel Coated Copper
Potting / Base Material	Epoxy / Plastic (UL94V-0 rated)
Weight	~ 31g, typ.

Environment Specifications

Operating Temperature	-40 to +50°C (for 100% - ambient)
Maximum Case Temperature	105°C
Storage Temperature	-40 to +125°C
Cooling	Free Air Convection (10mm distance required)
RoHS Conform	Soldering 260°C, max. (1.5mm from case 10s.)

OUTLINE DIMENSIONS & FOOTPRINT DETAILS

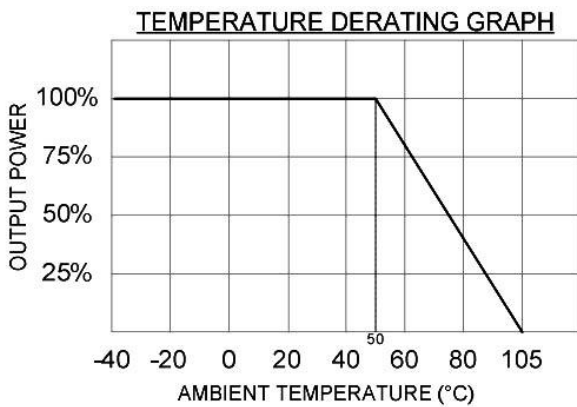
MECHANICAL DIMENSIONS



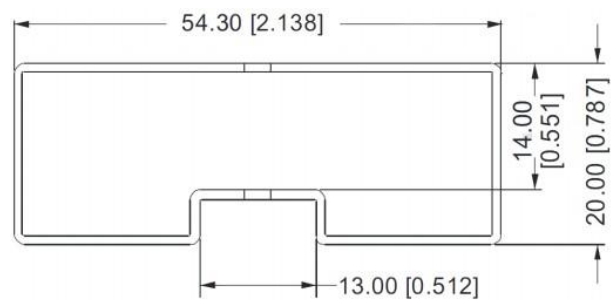
Pin-Out		
Pin	Single	Dual
1	+Vin (Vcc)	+Vin (Vcc)
2	-Vin (GND)	-Vin (GND)
3	Remote On/Off	
4	+Vout	+Vout
5	-Vout	Common
6	Trim	-Vout

Dimensions in [mm], () = Inch
 Pin diameter: 1.0 ±0.05 (0.04 ±0.002)
 Pin pitch tolerance: ±0.25 (±0.01)
 Case tolerances: ±0.25 (±0.01)

TEMPERATURE DERATING GRAPH



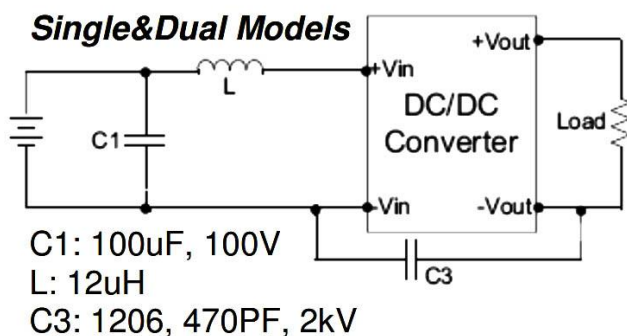
TUBE OUTLINE DIMENSIONS



Unit :mm[inch]
 General tolerances:±0.50mm[±0.020inch]
 L=230mm[9.055inch] Tube Quantity: 7pcs

EMI Filter

Input filter components (C1, C3, L) are used to help meet conducted emissions requirement. These components should be mounted as close as possible to the module; all leads should be minimized to decrease radiated noise.

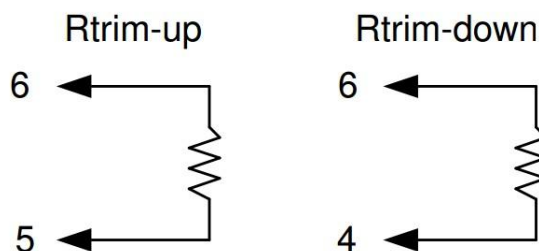


EMC SPECIFICATIONS

Radiated Emissions	EN 55022	CLASS A
Conducted Emissions ⁵	EN 55022	CLASS A
ESD	EN 61000-4-2	Perf. Criteria A
RS	EN 61000-4-3	Perf. Criteria A
EFT ⁶	EN 61000-4-4	Perf. Criteria A
Surge ⁶	EN 61000-4-5	Perf. Criteria A
CS	EN 61000-4-6	Perf. Criteria A
PFMF	EN 61000-4-8	Perf. Criteria A

External Output Trimming

Output can be externally trimmed.
(Single output models only!)



Over Voltage Protection(Zender diode clamp)

3.3 Vout:	3.9 V
5 Vout	6.2 V
5.1 Vout	6.2 V
12 Vout	15 V
15 Vout	18 V
± 5 Vout	± 6.2 V
± 12 Vout	± 15 V
± 15 Vout	± 18 V

Under Input Voltage Lockout (typ.)

24 Vin Models	Module ON/OFF 8.6V / 7.9V
48 Vin Models	Module ON/OFF 17.8V / 16V

Remote ON/OFF Control⁷

ON:	3 -12 VDC or open circuit
OFF:	0 - 1.2 VDC or short circuit PIN2 and PIN3
OFF idle current:	5mA, typ.

1 = Measured Input reflected ripple current with a simulated source inductance of 12uH.

2 = Tested by minimal Vin and constant resistive load.

3 = Dual: One load is 25% to 100% load, the other load is 100% load, the output voltage variable rate is within ±5%.

4 = Tested by nominal Vin and 25% load step change (75% - 50% - 25% of Io)

5 = The WRA-YMD-40W&WRB-YMD-40W series can meet EN55022 Class A With an external filter in parallel with the input pins.

6 = An external filter capacitor is required if the module has to meet EN61000-4-4 and EN61000-4-5

7 = The remote on/off control pin is referenced to -Vin (Pin2).