

KEY FEATURES

- Switching Power Module for PCB Mountable
- Fully Encapsulated Plastic Case
- Isolation Class II
- <0.1W No Load Input Power
- Very Small 1.77" x 2.52" x 0.92 " Package
- Screw Terminal and Din Rail Kit For Optional
- CE, CB, UL, cUL Approval
- 3-Year Product Warranty



ELECTRICAL SPECIFICATIONS

All specifications valid at normal input voltage, full load and +25°C after warm-up time unless otherwise stated.

Model No. (Single Output)	MTC30-5S	MTC30-12S	MTC30-15S	MTC30-24S
Max Output Wattage (W)	25W	30W	30W	30W
Input	Voltage (Note1)			
	90-264 VAC			
	Frequency (Hz)			
	47-440 Hz			
	Current (Full load)			
	600 mA max. (115 VAC) / 400 mA max. (230 VAC)			
	Inrush Current (<2ms)			
30 A max. (115 VAC) / 60 A max. (230 VAC)				
Leakage Current				
< 0.1mA / 264 VAC (Touch Current)				
No Load Input Power (<240 VAC)				
<0.1W				
External Fuse (recommend)				
3.15 A slow blow type				
Output	Voltage (V.DC.)			
	5V	12V	15V	24V
	Voltage Accuracy			
	±2%			
	Current (mA) max			
	5000	2500	2000	1250
	Line Regulation (LL-HL) (typ.)			
	±0.5%			
Load Regulation (10-100%) (typ.)				
±1%				
Maximum Capacitive Load (at 230 VAC)				
6800uF	1600uF	1200uF	470uF	
Ripple & Noise (max.) (Note2)				
100mVp-p	150mVp-p	150mVp-p	240mVp-p	
Efficiency (at 230 VAC)				
84%	89%	87%	86%	
Hold-up Time				
10 ms min.				
Protection	Over Power Protection			
	Hiccup technique, auto-recovery			
	Over Voltage Protection			
Zener diode clamp				
Short Circuit Protection				
Hiccup mode, indefinite (automatic recovery)				
Isolation	Input-Output (V.AC)			
4000V				
Environment	Operating Temperature			
	-40°C...+80°C			
	Storage Temperature			
	-40°C...+90°C			
	Temperature Coefficient			
±0.02%/°C				
Humidity				
95% RH				
MTBF				
>250,000 h @ 25°C (MIL-HDBK-217F)				
Physical	Dimension (L x W x H)			
	2.52 x 1.77 x 0.92 Inches (64.0 x 45.0 x 23.5 mm) Tolerance ±0.5 mm			
	Case Material			
	Plastic resin with Fiberglass (flammability to UL 94V-0)			
Weight				
130 g (Pending)				
Cooling Method				
Free air convection				

ELECTRICAL SPECIFICATIONS

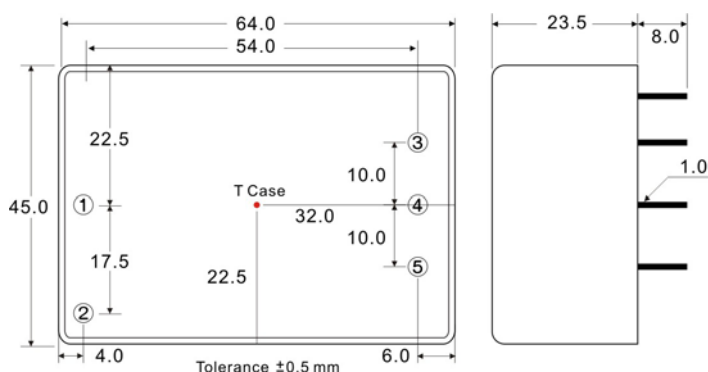
All specifications valid at normal input voltage, full load and +25°C after warm-up time unless otherwise stated.

Model No. (Single Output)	MTC30-5S	MTC30-12S	MTC30-15S	MTC30-24S
Safety	Approval cUL/UL 60950-1, ANSI/AAMI ES 60601-1: 2005, 1st Edition and CAN/CSA-C22.2 No. 60601-1:08, 2nd Edition, 2XMOPP OPP (Pending)			
EMC	Conducted and radiated EMI		EN55011 (Pending)	
	ESD		EN61000-4-2 air \pm 8kV , Contact \pm 4kV (Pending)	
	Radiated Immunity		EN61000-4-3 10V/m (Pending)	
	Fast Transient		EN61000-4-4 \pm 2kV (Pending)	
	Surge		EN61000-4-5 \pm 1kV (Pending)	
	Conducted Immunity		EN61000-4-6 10Vrms (Pending)	
	PFMF		EN61000-4-8 30A/m (Pending)	
	Dips		EN61000-4-11 30% 10ms (Pending)	
	Interruption		EN61000-4-11 >95% 5000ms (Pending)	

NOTE

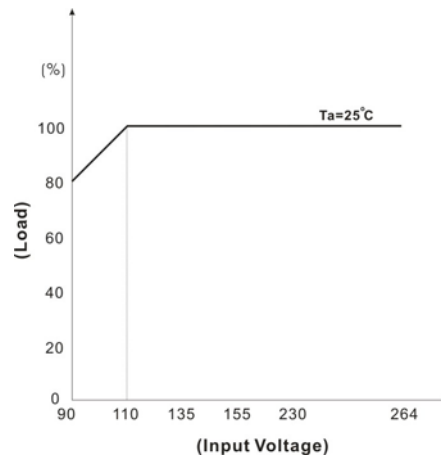
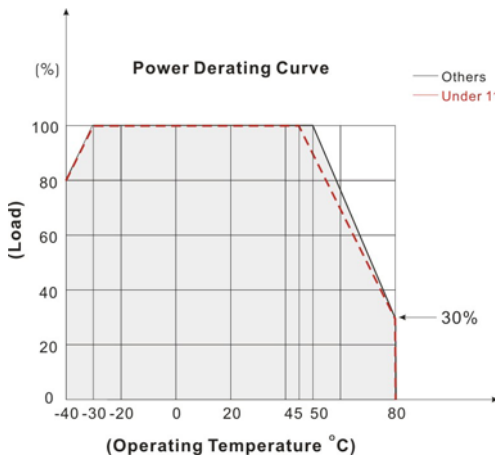
- This product is not designed for use in critical life support systems, equipment used in hazardous environment, nuclear control systems or other such applications which necessitate specific safety and regulatory standards other the ones listed in this datasheet.**
- Ripple & Noise are measured at 20MHz of bandwidth with 0.1uF & 47uF parallel capacitor.
- Safety approvals cover frequency 47-63 Hz.
- That "natural convection" is about 20LFM but is not equal to still air (0 LFM).
- It's recommended to add Varistor 14S471K at L / N input side in parallel.
- Please refer to our PDF file "AC-DC Application" on our website: www.archcorp.com.tw

MECHANICAL DIMENSION (Top View)



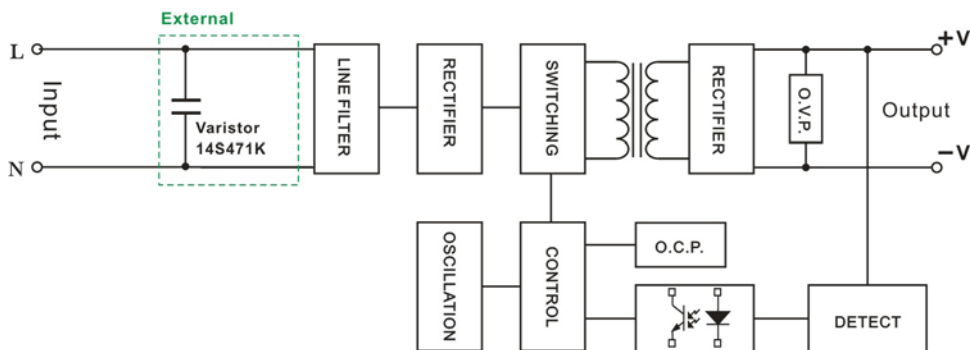
PIN#	Single
1	AC IN (N)
2	AC IN (L)
3	-DC OUT
4	NO PIN
5	+DC OUT

DERATING



BLOCK DIAGRAM

Single Output

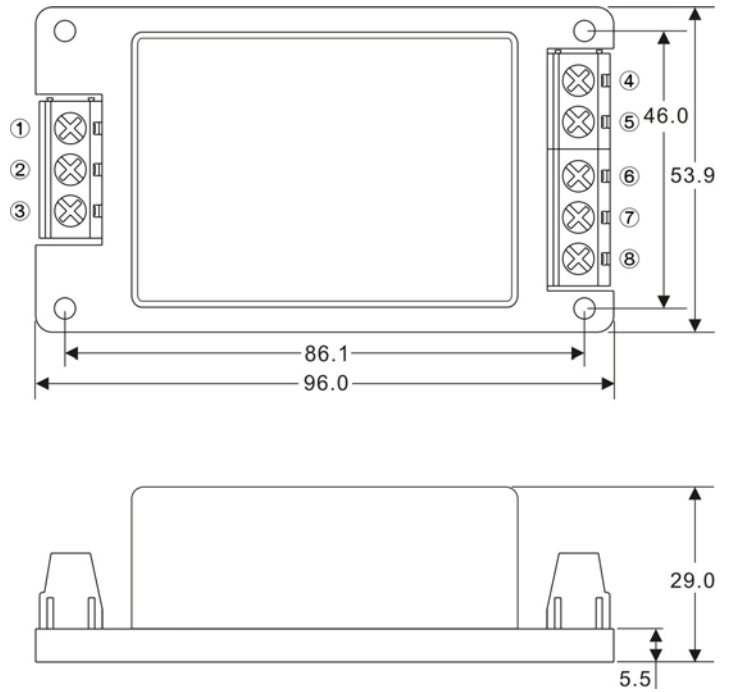


SCREW TERMINAL

MTC30-A2



PIN#	Single
1	AC IN (N)
2	NO CONNECT
3	AC IN (L)
4	NO CONNECT
5	-DC OUT
6	NO CONNECT
7	+DC OUT
8	NO CONNECT



Din Rail Kit

MTC30-A2-DN

