

Superb quality  
 Linear-Regulated  
 Case style: DIP24  
 Short circuit proof

# INDUSTRIAL DC/DC Converters

3 Watt  
 Series: CF

### Electrical specifications:

Input voltage range: +/- 10% / @U<sub>in</sub>=5V -5%/+10%  
 Output voltage accuracy: +/- 5%  
 Line regulation: +/- 0,5%  
 Load regulation: +/- 0,5%  
 Efficiency: 54% - 70%  
 Output Ripple & Noise: typ. 100mVp-p

Short circuit protection: continuous / autorestart  
 Ambient temperature: -40°C to +71°C  
 Operating temperature: max. +105°C  
 Insulation test voltage: standard 1000V DC  
 Case material: black polycarbonate  
 Optional:

Part-No. /3 metalcase (not for high insulation voltage)  
 Part-No. /2 4kV AC rms insulation test voltage\*\*  
 Part-No. /7 3kV DC insulation test voltage\*\*  
 Part-No. /4 4kV DC insulation test voltage\*\*  
 Part-No. /5 External -IN & -OUT/COM connection allowed  
 Part-No. /9 Automotiv -55°C to +85°C  
 \*\* only with /0 , /1 , /8 pin connection available

**CAUTION: NO INPUT POLARITY CHANGE ALLOWED!**

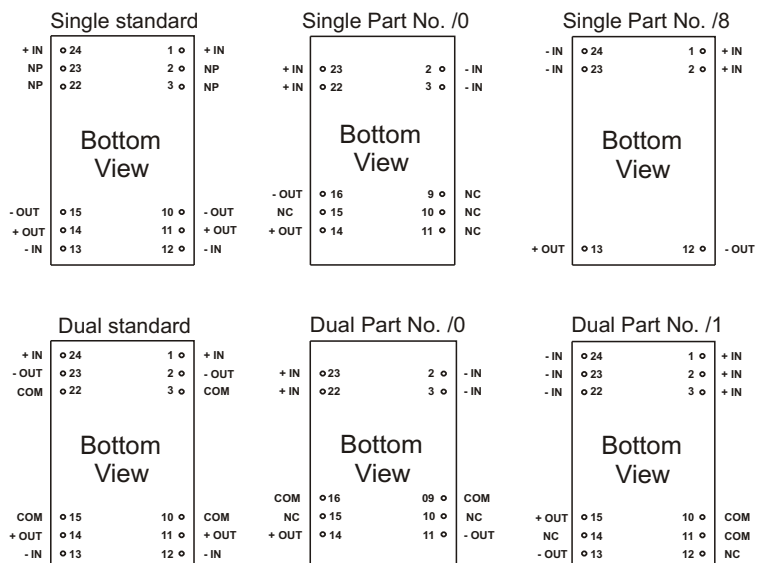
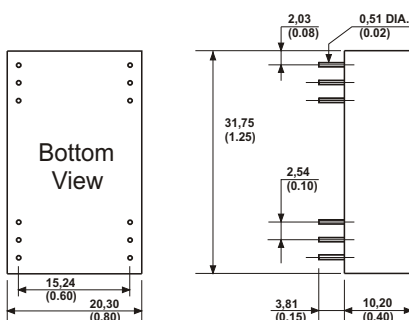
Part - No. Single	Input Voltage	Output Voltage	Output Current	Part - No. Dual	Input Voltage	Output Voltage	Output Current
CF - 0505	5V	5V	600mA	CF - 0505D	5V	+/- 5V	+/-300mA
CF - 0509		9V	330mA	CF - 0512D		+/-12V	+/-125mA
CF - 0512		12V	250mA	CF - 0515D		+/-15V	+/-100mA
CF - 0515		15V	200mA				
CF - 1205	12V	5V	600mA	CF - 1205D	12V	+/- 5V	+/-300mA
CF - 1209		9V	330mA	CF - 1212D		+/-12V	+/-125mA
CF - 1212		12V	250mA	CF - 1215D		+/-15V	+/-100mA
CF - 1215		15V	200mA				
CF - 2405	24V	5V	600mA	CF - 2405D	24V	+/- 5V	+/-300mA
CF - 2412		12V	250mA	CF - 2412D		+/-12V	+/-125mA
CF - 2415		15V	200mA	CF - 2415D		+/-15V	+/-100mA
CF - 4805	48V	5V	600mA	CF - 4805D	48V	+/- 5V	+/-300mA
CF - 4812		12V	250mA	CF - 4812D		+/-12V	+/-125mA
CF - 4815		15V	200mA	CF - 4815D		+/-15V	+/-100mA

### Any other output voltages available

### PIN CONNECTION:

All pins on a 2,54mm pitch;  
 NP = No Pin, NC = No connection

ALL DIMENSIONS IN MM (INCHES)  
 MILLIMETERS +/- 0,25mm / INCHES +/- 0,01"



Specification may be changed without notice  
 please contact office for verification

We can offer EMC - Filter  
 according to EN55011/22 Class B.