

MEDICAL - INDUSTRIAL DC/DC Converters

Stand: 49/08

Unregulated
 Case style: DIP24

3 Watt
 Series: MED-CFU

EN/UL/CSA 60601-1 & 2
REINFORCED INSULATION

Electrical specifications:

Input voltage range:	+/- 10% / @Uin=5V -5%/+10%	Short circuit protection:	continuous
Output voltage accuracy:	+/- 2% (Vin=nominal & full load) +/- 5% (Vin< 3,3V)	Ambient temperature:	-40°C to +71°C
Line Vin/Vout:	+/- 1%	Operating temperature:	max. +105°C
Output voltage change:	3,3V, 5V output types 15% max. 9V ~ 24V output types 10% max.	Insulation test voltage:	4kV AC rms *
Efficiency:	min. 70%	couple capacitance:	~15pF
Output Ripple & Noise:	typ. 100mV p-p	creepage distance:	>8mm
		Case material::	black polycarbonate

* type test time 1 min.
 part test time 1 sec.

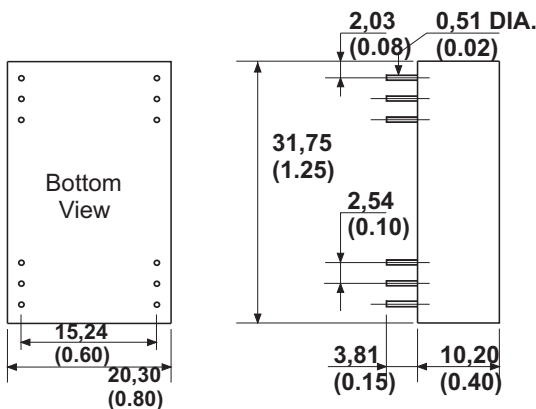
CAUTION: NO INPUT POLARITY CHANGE ALLOWED!

Part - No. Single	Input Voltage	Output Voltage	Output Current	Part - No. Dual	Input Voltage	Output Voltage	Output Current
MED-CFU-0505 MED-CFU-0509 MED-CFU-0512 MED-CFU-0515	5V	5V 9V 12V 15V	600mA 330mA 250mA 200mA	MED-CFU-0505D MED-CFU-0512D MED-CFU-0515D	5V	+/- 5V +/-12V +/-15V	+/-300mA +/-125mA +/-100mA
MED-CFU-1205 MED-CFU-1209 MED-CFU-1212 MED-CFU-1215	12V	5V 9V 12V 15V	600mA 330mA 250mA 200mA	MED-CFU-1205D MED-CFU-1212D MED-CFU-1215D	12V	+/- 5V +/-12V +/-15V	+/-300mA +/-125mA +/-100mA
MED-CFU-2405 MED-CFU-2412 MED-CFU-2415	24V	5V 12V 15V	600mA 250mA 200mA	MED-CFU-2405D MED-CFU-2412D MED-CFU-2415D	24V	+/- 5V +/-12V +/-15V	+/-300mA +/-125mA +/-100mA
MED-CFU-4805 MED-CFU-4812 MED-CFU-4815	48V	5V 12V 15V	600mA 250mA 200mA	MED-CFU-4805D MED-CFU-4812D MED-CFU-4815D	48V	+/- 5V +/-12V +/-15V	+/-300mA +/-125mA +/-100mA

Any other output voltages available

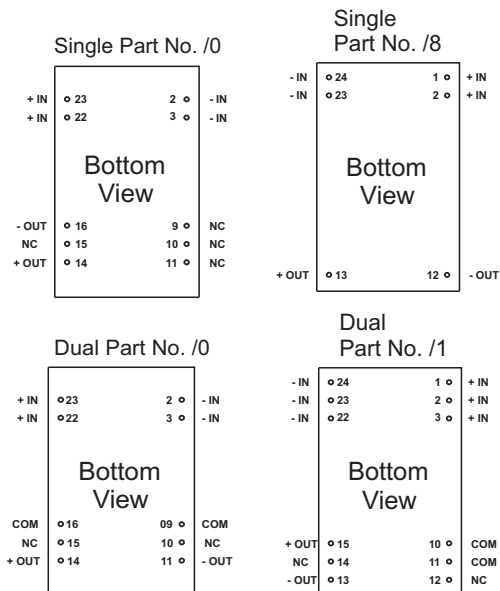
PIN CONNECTION:

All pins on a 2,54mm pitch;
 NP = No Pin, NC = No connection



ALL DIMENSIONS IN MM (INCHES)
 MILLIMETERS +/- 0,25mm / INCHES +/- 0,01"

Specification may be changed without notice
 please contact office for verification



We can offer EMC - Filter
 according to EN55011/22 Class B.