

Yuan Dean Scientific CO.,LTD 76D-6W SERIES

Wide Input Voltage Range 6 Watt Dc-Dc Converter



FEATURES:

- 2:1 Wide Input Voltage.
- 6 Watt 5PIN DIL Package.
- Efficiency To 87%
- PI Input Filter.
- 1500Vdc Isolation
- MTBF:>1,500,000 hrs
- Operating Temperature:-40°C TO +85°C



Specifications typical at TA=25°C, nominal input voltage and rated output current unless otherwise specified

Part Number	Input Voltage	Output Voltage	Output Current	Input Current		Efficiency
				NO LOAD	FULL LOAD	
				mA	mA	
	Vdc	Vdc	mA	mA	mA	%TYP
76D-12S05R6W	9-18	5	1200	7.5	625	80
76D-12S12R6W	9-18	12	500	7.5	625	80
76D-12S15R6W	9-18	15	400	7.5	625	80
76D-12D05R6W	9-18	±5	±600	12	625	80
76D-12D12R6W	9-18	±12	±250	12	600	83
76D-12D15R6W	9-18	±15	±200	12	600	83
76D-24S05C6W	18-36	5	1200	5	305	82
76D-24S12C6W	18-36	12	500	5	287	87
76D-24S15C6W	18-36	15	400	5	287	87
76D-24S24C6W	18-36	24	250	5	287	87
76D-24D05C6W	18-36	±5	±600	7.5	310	80
76D-24D12C6W	18-36	±12	±250	7.5	295	85
76D-24D15C6W	18-36	±15	±200	7.5	295	85
76D-48S05C6W	36-75	5	1200	2	155	80
76D-48S12C6W	36-75	12	500	2	145	85
76D-48S15C6W	36-75	15	400	2	145	85
76D-48S24C6W	36-75	24	250	2	145	85
76D-48D05C6W	36-75	±5	±600	3	155	80
76D-48D12C6W	36-75	±12	±250	3	145	85

Input Specifications

Parameters	Conditions	Min	Typ	Max	Units
Voltage Types				2:1	
Filter	Capacitor				

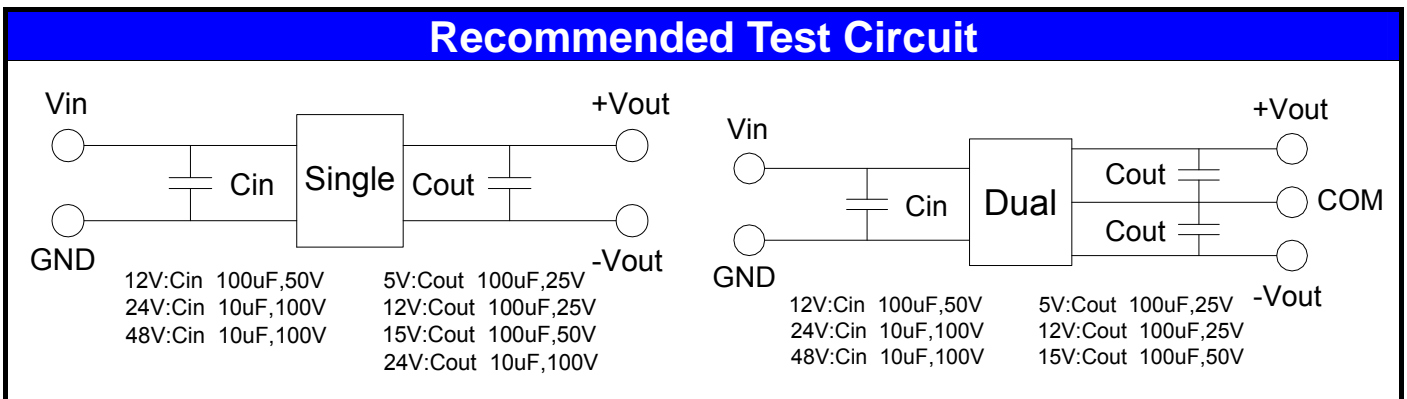
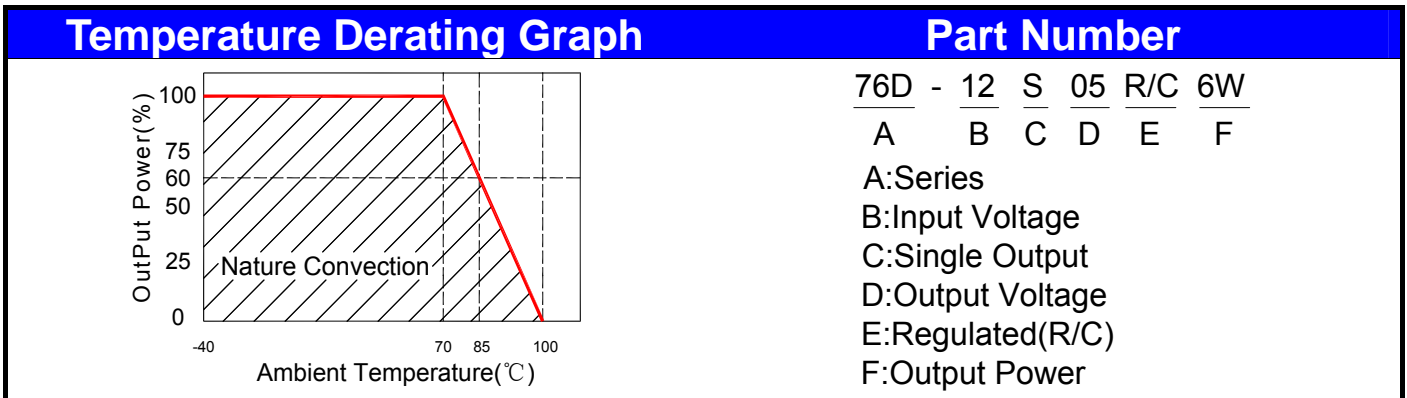
Output Specifications

Parameters	Conditions	Min	Typ	Max	Units
Voltage Tolerance				±2	%
Short Circuit Protection	Continuous				
Line Regulation				±0.5	%
Load Regulation	Single (F.L To 10% Load)			±0.8	%
Load Regulation	Dual (F.L To 10% Load)			±1.0	%
Ripple & Noise	BW=DC To 20MHz			100	mVp-p
Transient response setting time	50% load step change		350		us

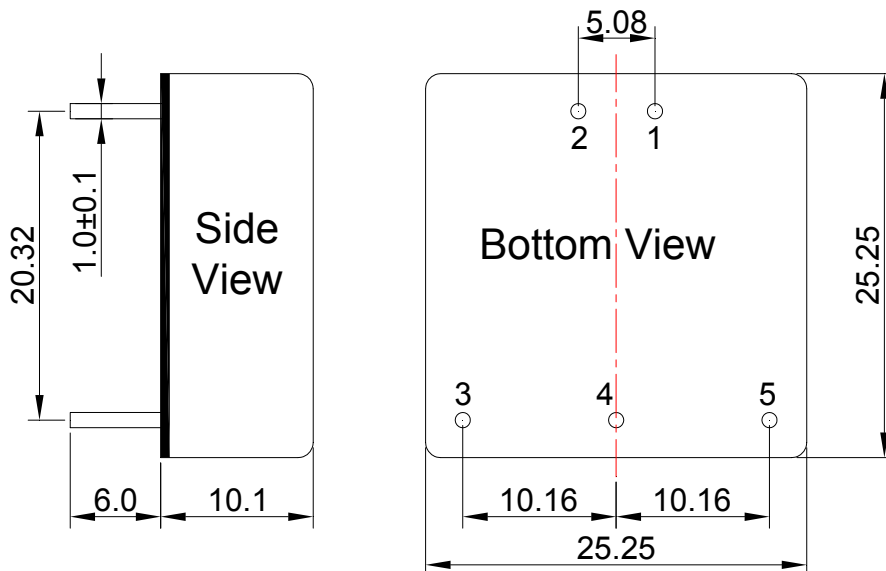
General Specifications

Parameters	Conditions	Min	Typ	Max	Units
Isolation Resistance	500Vdc	1000			MΩ
Switching Frequency			200		KHz
Operating Temperature		-40		85	°C
Humidity	Non Condensing			95	%
Cooling	Free air Convection				
Case material	Nickel Coated Copper With Non-Conductive Base				
Weight			15.0		g
Dimensions			25.25x25.25x10.1		mm

Wide Input Voltage Range 6 Watt Dc-Dc Converter



Markings and dimensions



UNIT: mm Unless otherwise specified, all tolerances are ± 0.25

PIN Connection					
PIN	1	2	3	4	5
SINGLE	+Vin	-Vin	-Vout	No Pin	+Vout
DUAL	+Vin	-Vin	-Vout	COM	+Vout